

# PRODUCT INFORMATION AND SPECIFICATIONS

## RE-USABLE HUBS

## RE-USABLE HUBS

These Patented Re-Usable hubs accept all Subrex dispense core sizes and are very cost effective in high volume dispense applications.

Use of this hub will eliminate full component replacement costs and time consuming cleaning processes. The unique slotted taper allows easy installation and removal of dispense cores. *Figure 1*

Standard Luer-Lok™ threads allow adaptation to most dispense pumps and valves.

Re-Usable Hubs are available in Stainless Steel or Nickel plated Tellurium Copper.\* While both materials are very durable and easily cleaned, the Tellurium Copper hubs are best suited for heated processes due to its exceptional thermal properties.

\*Custom materials and finishes can be configured. Contact Subrex for further information.



### FEATURES

- Fits all Subrex dispense cores
- Cost effective
- Ideal for heated applications
- Luer-Lok™ adaptation
- Available in different materials



*Figure 1*

# Subrex

US Patent #123456789 and others are pending.  
Luer-Lok™ is a registered trademark of Becton Dickinson.

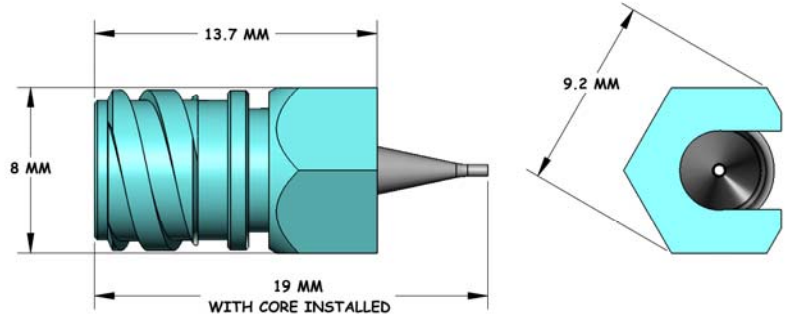
# RE-USABLE HUB SPECIFICATIONS

## STAINLESS STEEL

- UNS S30300
- Thermal Conductivity  
16.2 W/m-K at 100°C  
(112 BTU-in/hr-ft<sup>2</sup>-°F at 212°F)

## TELLURIUM COPPER

- UNS C14500
- Thermal Conductivity  
355 W/m-K at 20°C  
(2460 BTU-in/hr-ft<sup>2</sup>-°F at 68°F)



## HOW TO ORDER

RH - 010-  -  - 00

00 - NO FINISH  
05 - ELECTROLESS NICKEL

02 - TELLURIUM COPPER  
05 - STAINLESS STEEL

- **Compatible with all Subrex dispense core sizes**
- **Tellurium Copper best for climate controlled applications**
- **Luer-Lok™ adaptation**
- **Non-wetted component**

### Cleaning:

In the event hub becomes contaminated, use only solvents compatible with specified materials and fluids being dispensed as specified by the material supplier.

Email: [info@subrex.com](mailto:info@subrex.com)

URL: [www.subrex.com](http://www.subrex.com)

**Subrex**

7407 Brava Street  
Carlsbad, CA 92009 USA  
U.S. (toll free) 1-866-548-0120  
Tel: +1 (760) 436-1521

*Subrex* reserves the right to make design/material changes to products to improve their functionality. These changes may occur between publishing.

©2008 Subrex Published 31 September 08